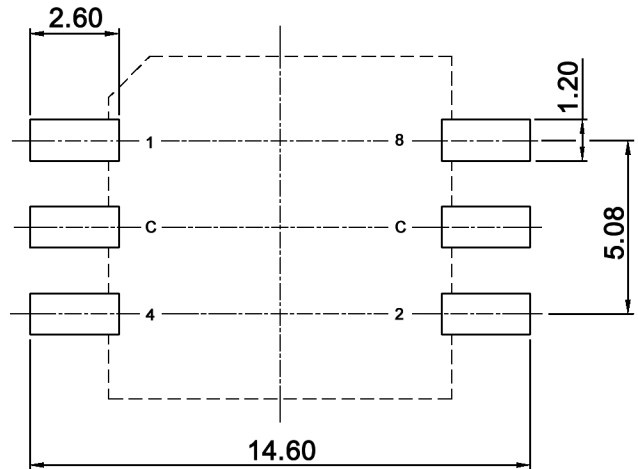


coplanarity failure +/-0.05mm max.

P.C.B. DIMENSION



BCD inverse

		Complement coded				
		C	1	2	4	8
10 P o s i t i o n s	0	●	●	●	●	●
	1	●		●	●	●
	2	●	●		●	●
	3	●			●	●
	4	●	●	●		●
	5	●		●		●
	6	●	●			●
	7	●				●
	8	●	●	●	●	
	9	●		●	●	

Compliance: RohS III (2015/863/EU)

Tolerances:	Date	Name
	07/14	dr
Material	02/21	dr
Contact rating	08/14	dr
Modifications	Date	Name

SMR 60110 (T)

knitter-switch

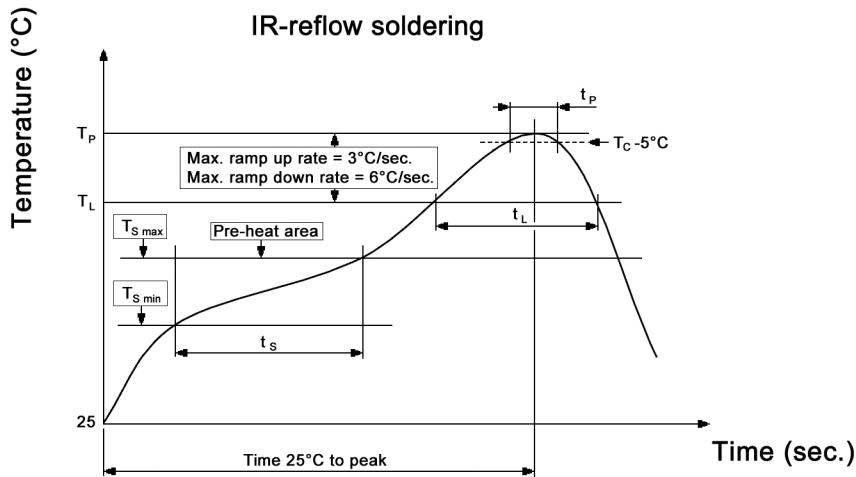
30 31 51

Page

1/3

Specifications:

Contact rating: non-switching: 200mA, 42V
 switching: 150mA, 42V
Contact resistance: 80mOhm max.
Insulation resistance: 100MOhm min. at 250V DC for 1 minute +/-5sec.
Dielectric strength: 250V AC (50/60Hz) for 1 minute
Operating temperature: -60°C to +125°C
Storage temperature: -60°C to +125°C
Mechanical life: 10 000 cycles
Operating force: 700gf/cm max.
Material: Cover / base: LCP, gray
 Actuator: PA66, blue
 Contact / terminal: phosphor bronze, min. 0.07µm gold plated
 over min. 0.1µm nickel
 PCB: epoxy seal, 0.05µ min. gold plated
 O-ring: silicone, black
IP rating: IP67
Soldering conditions:



$T_P = 260^\circ\text{C}$
 $t_P = 10\text{sec. max.}$

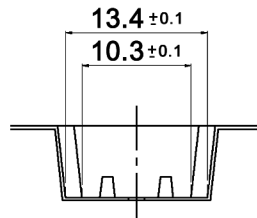
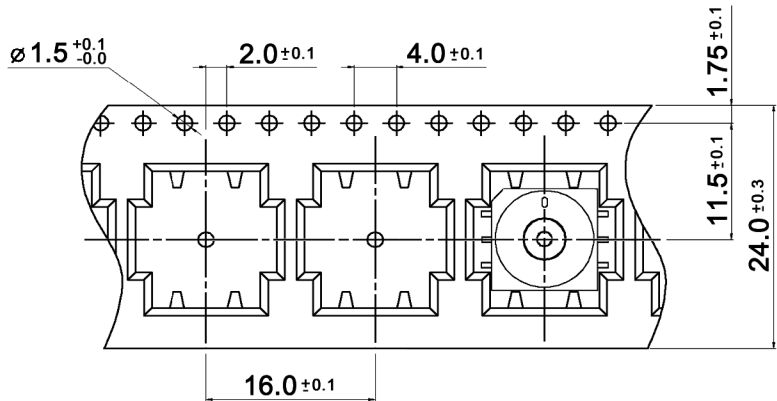
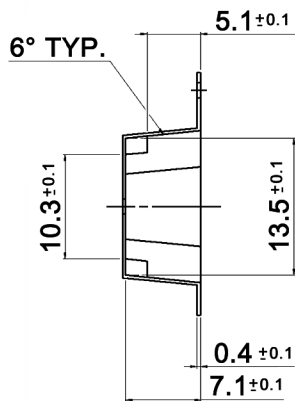
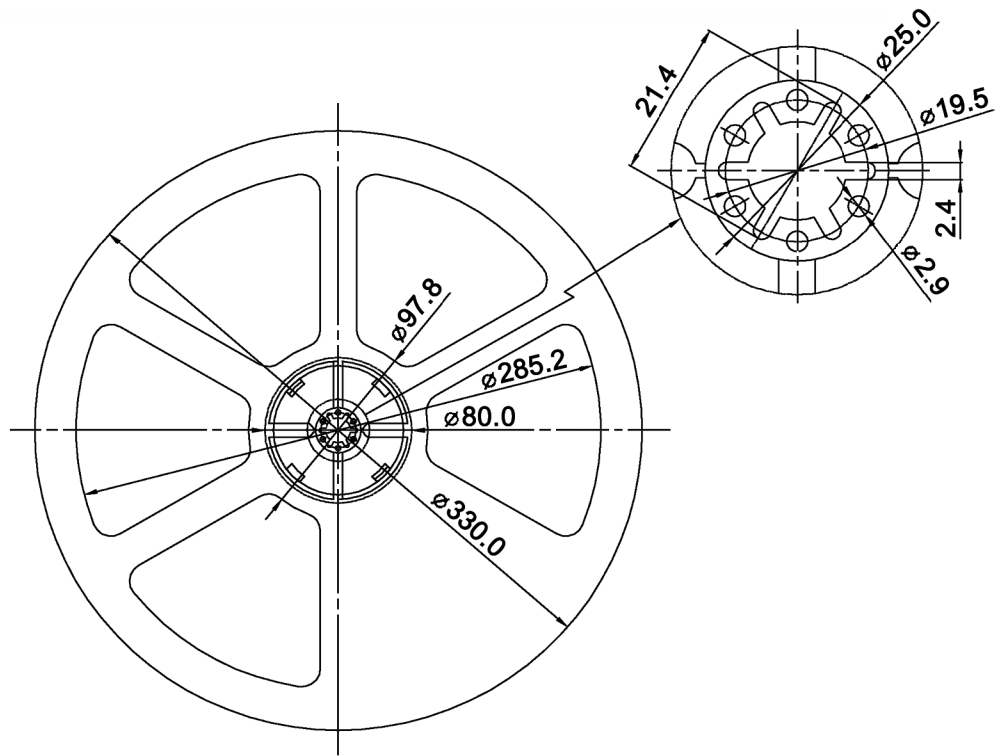
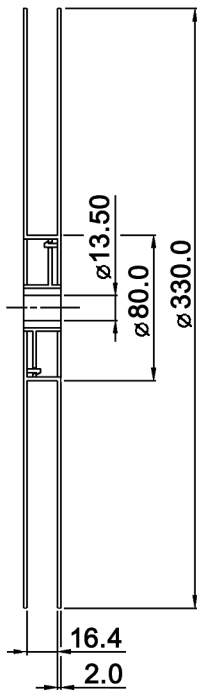
 $T_L = 217^\circ\text{C}$
 $t_L = 90\text{sec. max.}$

 $T_{S\ max} = 200^\circ\text{C}$
 $T_{S\ min} = 150^\circ\text{C}$
 $t_S = 120\text{sec. max.}$

Compliance: RohS III (2015/863/EU)

Tolerances:			Date	Name	SMR 60110 (T)
			07/14	dr	
Material	02/21	dr	knitter-switch		30 31 51
Contact rating	08/14	dr			
Modifications	Date	Name			Page
					2/3

Packaging:



Ordering code	Packaging
SMR 60110	50 pcs / tube
SMR 60110 T	600 pcs / reel

Compliance: RohS III (2015/863/EU)

Tolerances:			Date	Name	<h1>SMR 60110 (T)</h1>
			07/14	dr	
Material	02/21	dr	knitter-switch		<h2>30 31 51</h2>
Contact rating	08/14	dr			
Modifications	Date	Name			Page 3/3